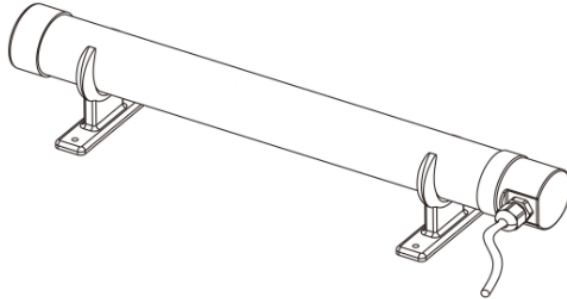




# TUBULAR HEATER INSTRUCTION MANUAL



**Tubular Heater: MOR-TBH-1FT/ MOR-TBH-2FT/  
MOR-TBH-3FT/ MOR-TBH-4FT**

**YOU SHOULD READ THE MANUAL CAREFULLY BEFORE  
USING, AND KEEP THE MANUAL FOR FUTURE  
REFERENCE.**



## DISPOSAL

This symbol indicates that this product must not be placed in general household waste. It should be sent to a separate recycling facility for recovery, check Local Authorities for details.

By responsible recycling and separating this product from other household waste it will help protect the environment and human health, as the volume of waste sent to incinerators or land-fills will be reduced and natural resources conserved.

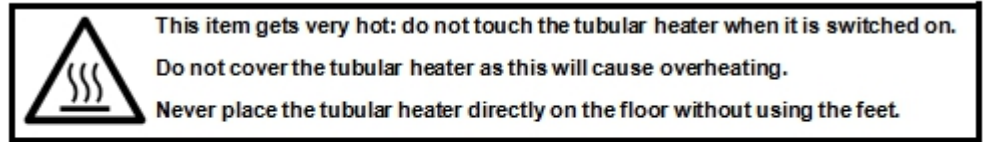


Please Note: During the first use the heater may emit a small amount of vapour which is perfectly normal. The reason for this is the heating wire element is coated with some lubricant oil during

the production process. This will stop after approx. 5 minutes after the first use and is not a safety concern.



**Read all the instructions prior to use.**



**WARNING:** Check product before use: if cord is damaged, it must be replaced by the manufacturer if still under warranty, or a similar qualified person to avoid any hazards

## 1. Safety Regulations

- The tubular heater is not suitable for use outdoors in damp weather.
- **Do not** submerge into water.
- Place in a safe place away from flammable objects.
- **Do not** place flammable liquids or gasses near the heater.
- **Do not** place the heater directly below the socket outlet.
- **Do not** let the power cord over hang or touch the tube.
- **Keep out of reach of children and animals** – product gets hot to touch.
- **This is not a toy.**
- Switch off appliance when not in use.
- **Do not** hold the tubular heater by the cord.
- If using an extension cord it must be as short as possible and fully extended.
- Check heater regularly if using with a timer or any other device that switches the tubular heater on or off automatically.
- This leaflet should be retained for instructions on use.

## 2. Cleaning

Ensure product is unplugged from the mains. Ensure product is completely cold.

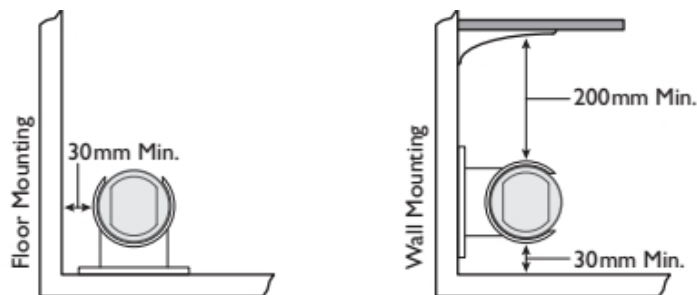
Wipe with a damp cloth, then finish by drying with a soft cloth. DO NOT use abrasive cleaning powders, clothes or metal polishes on any part of the tubular heater as this will cause damage.

### 3. Thermal Cut-out

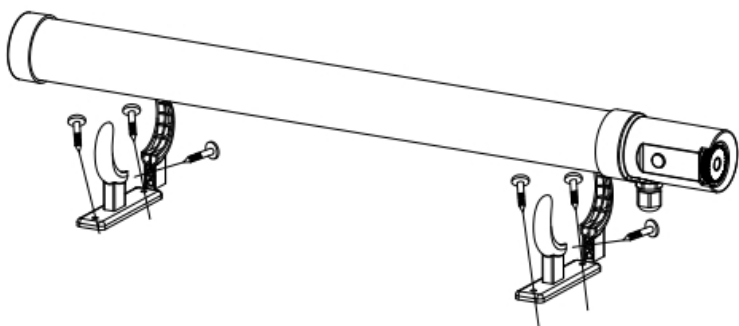
The appliance is fitted with a thermal cut-out. Once the tubular heater has cooled down it will re-set itself automatically. It will then switch on and off until the reason for overheating has been removed.

### 4. Operation

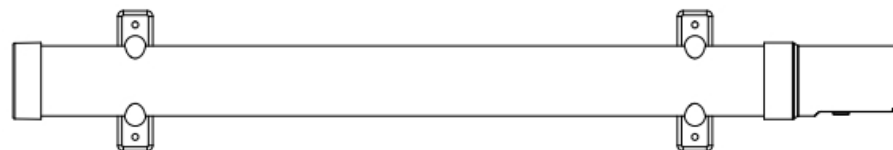
**Notice:** DO NOT SWITCH POWER ON TO THE HEATER UNTIL IT IS SECURELY MOUNTED.



**Step 1.** Install the bracket as the picture shows.



**Step 2.** Fix the tubular heater on the wall or on the floor like the following picture shows.



### 5. Tubular Heater Notice:

- The heater is fitted with a safety device which will switch off the heater in case of accidental overheating.
- To reset, turn the heater off at the switch for a few minutes to allow the unit to cool down.
- Make sure that any causes of overheating, such as obstructions, are removed and plug the appliance in again.
- Turn the switch off when it is summer or nobody at home or no need to keep heating, it is energy saving and safer.

### 6. Tubular heater Specifications

Model No.	Power	Electrical Supply	IP Rating	Product Length (mm)	Product Size (mm)
MOR-TBH-1FT	60W	220-240V ,50 Hz	IP55	300mm	310*98*85
MOR-TBH-2FT	120W	220-240V ,50 Hz	IP55	609mm	610*98*85
MOR-TBH-3FT	180W	220-240V ,50 Hz	IP55	900mm	910*98*85
MOR-TBH-4FT	240W	220-240V ,50 Hz	IP55	1200mm	1200*98*85

### 7. Warranty

This product is guaranteed under warranty and covers defects in material or workmanship from 1 year of date of purchase. The original bill of purchase (with purchase date) must be submitted.

The warranty will not apply in cases of: Misuse: by non-compliance of the instructions, normal wear and tear, incorrect use, e.g. overloading, non-approved accessories, force or damaged caused by external forces, if the plug has been tampered with or removed, partially or completely dismantled product, or interference by non-qualified persons.